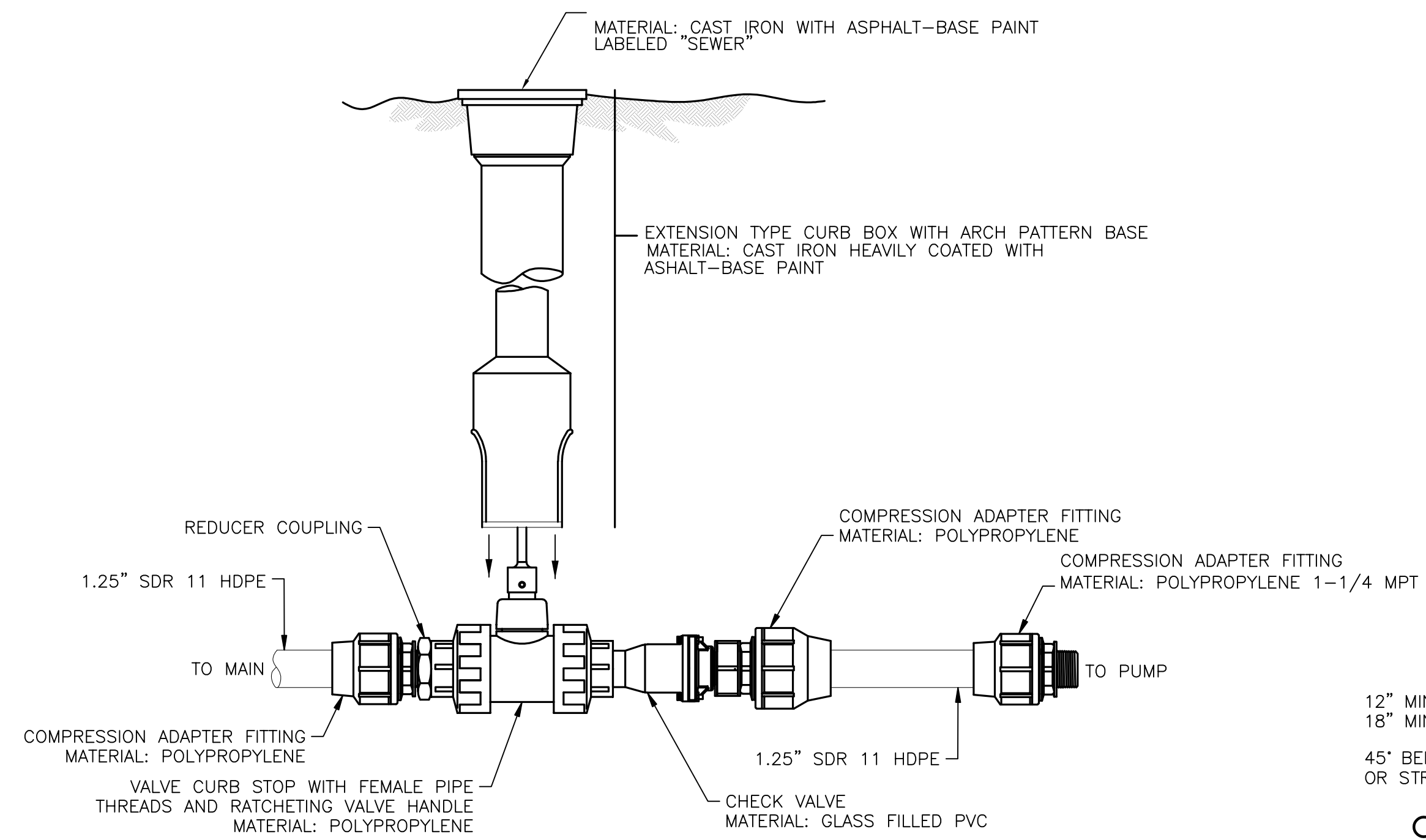
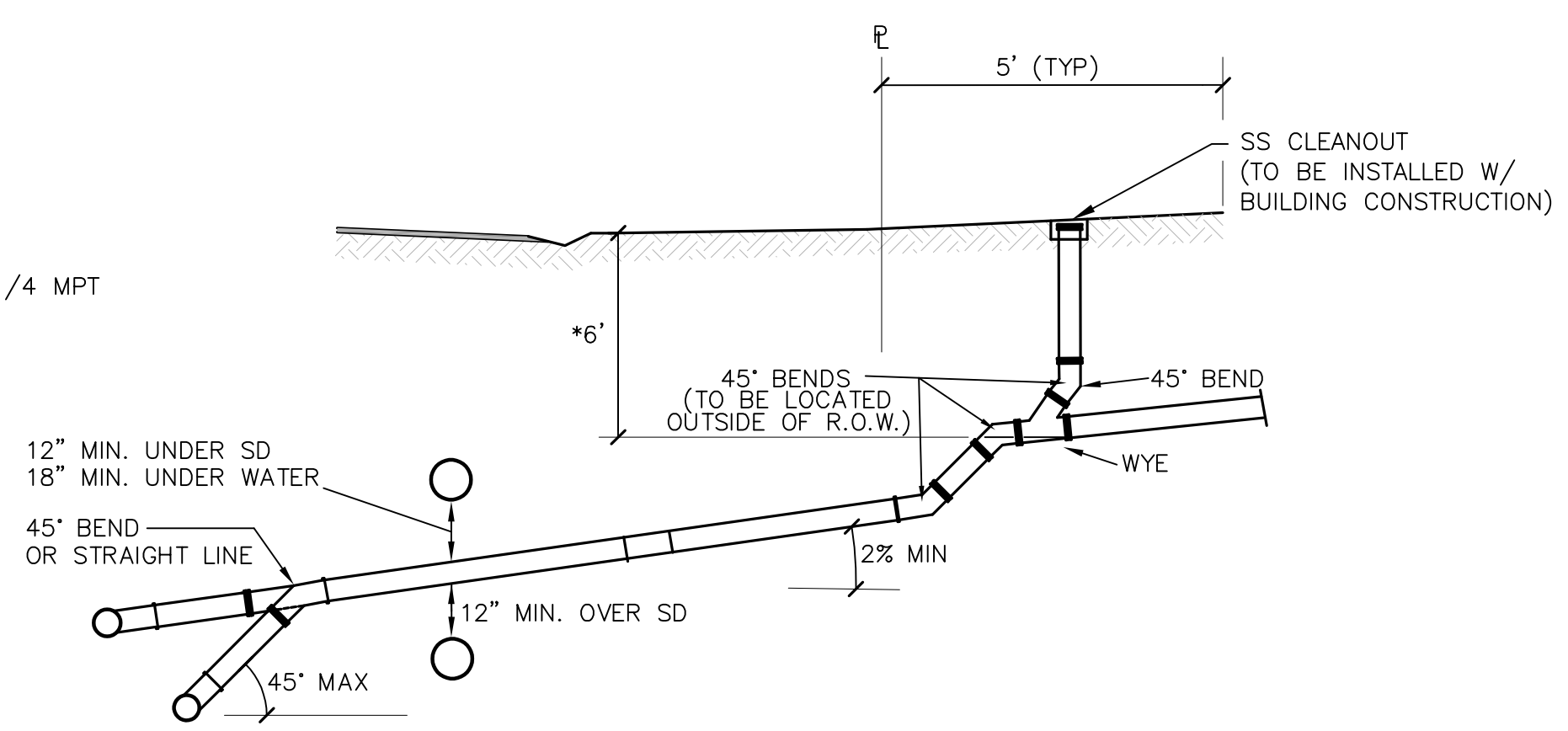


NOTE:
DEFLECT SANITARY SEWER LATERALS UNDER STORM AS REQUIRED.

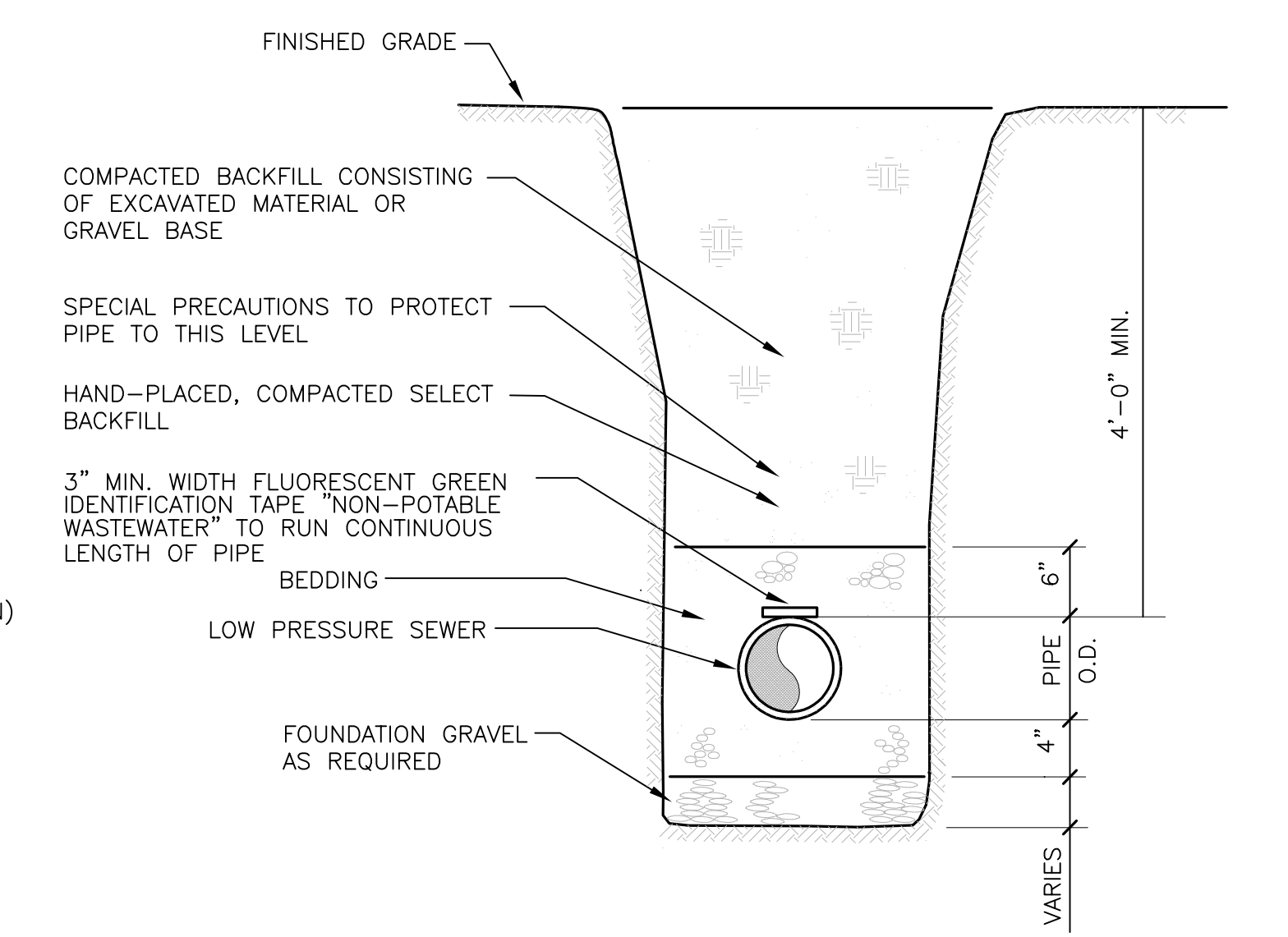
**LOW PRESSURE SANITARY SEWER
INSTALLATION DETAIL**
A
NOT TO SCALE



**LOW PRESSURE SANITARY SEWER
LATERAL ASSEMBLY DETAIL**
B
NOT TO SCALE



CONNECTION AT SEWER MAIN
C
NOT TO SCALE



NOTE:
BACKFILL MATERIAL AND COMPACTION SHALL BE IN CONFORMANCE WITH STANDARD SPECIFICATIONS

**LOW PRESSURE SEWER
TYPICAL TRENCH SECTION**
D
NOT TO SCALE